



SLVU2.8-4

Low Capacitance TVS Diode Array

APPLICATIONS

- ◆ 10/100/1000 Ethernet
- ◆ WAN/LAN Equipment
- ◆ Test & Measurement Equipment
- ◆ Switching Systems
- ◆ Instrumentation
- ◆ Audio/Video Inputs

IEC COMPATIBILITY

- ◆ IEC61000-4-2 (ESD) $\pm 15\text{kV}$ (air), $\pm 8\text{kV}$ (contact)
- ◆ IEC61000-4-4 (EFT) 40A (5/50 η s)
- ◆ IEC61000-4-5 (Lightning) 24A (8/20 μ s)

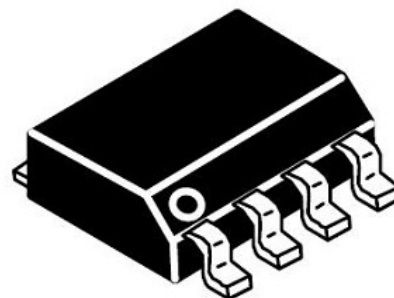
FEATURES

- ◆ 400 Watts Peak Pulse Power per Line ($t_p=8/20\mu$ s)
- ◆ Protects two line pairs (four lines)
- ◆ Low capacitance
- ◆ RoHS Compliant

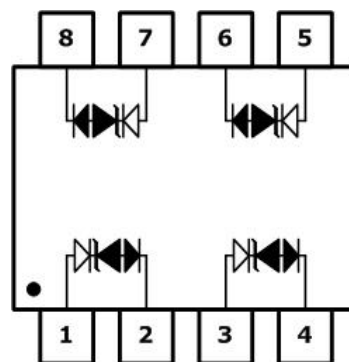
MECHANICAL CHARACTERISTICS

- ◆ JEDEC SO-8 Package
- ◆ Molding Compound Flammability Rating : UL 94V-0
- ◆ Weight 70 Milligrams (Approximate)
- ◆ Quantity Per Reel : 500pcs
- ◆ Reel Size : 7 inch
- ◆ Lead Finish : Lead Free

SO-08



PIN CONFIGURATION





SLVU2.8-4

DEVICE CHARACTERISTICS

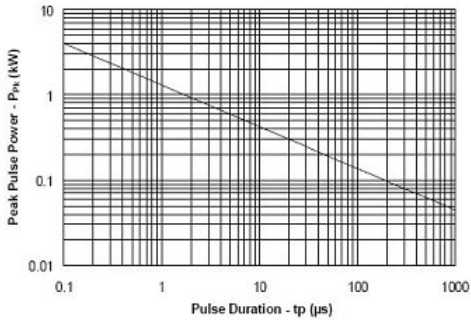
MAXIMUM RATINGS (@ 25°C Unless Otherwise Specified)

PARAMETER	SYMBOL	VALUE	UNITS
Peak Pulse Power (tp=8/20μs waveform)	P _{PP}	400	Watts
Lead Soldering Temperature	T _L	260 (10 sec.)	°C
Operating Temperature Range	T _J	-55 ~ 150	°C
Storage Temperature Range	T _{STG}	-55 ~ 150	°C

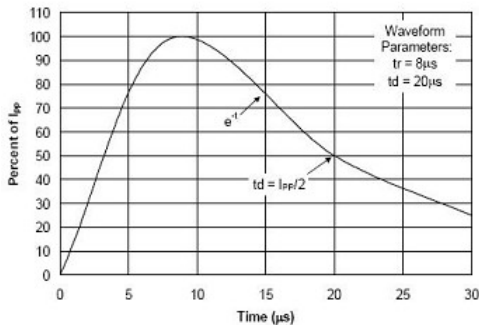
ELECTRICAL CHARACTERISTICS PER LINE (@ 25°C Unless Otherwise Specified)

PART NUMBER	DEVICE MARKING	V _{RWM}	V _B	I _T	V _C	V _C		I _R	C _T
		(V) (max.)	(V) (min.)	(mA)	@5A (max.)	(max.)	(@A)	(μA) (max.)	(pF) (typ.)
SLVU2.8-4	SLVU 2.8-4	2.8	3.0	1	8.5	15	24	1	3

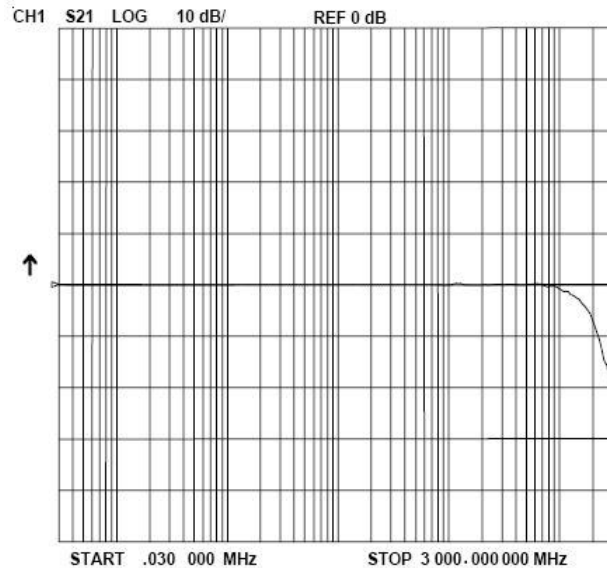
Non-Repetitive Peak Pulse Power vs. Pulse Time



Pulse Waveform



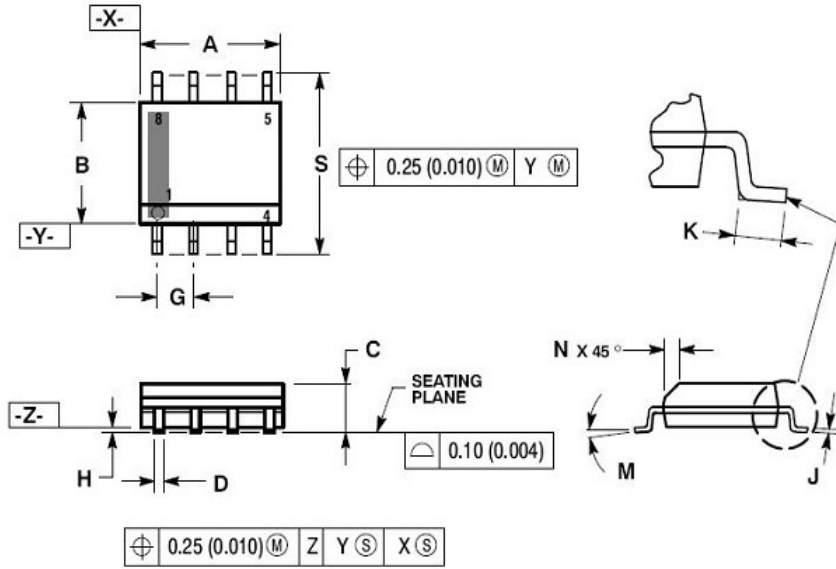
Insertion Loss S21





SLVU2.8-4

SO-08 PACKAGE OUTLINE & DIMENSIONS



* SOLDERING FOOTPRINT

